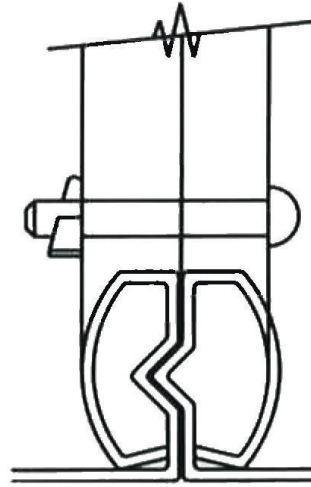


VERTICAL SECTIONS

Tiffin's sections are carefully designed to meet industry standard sizes. Widths are available in 28-7/16", 28-13/16", 29-1/2", and 30". Section heights range up to and include 20'. Special sizes are available. The Tiffin easy-to-hang vertical sections, using tongue-and-groove joints, fit together for a smooth, even appearance. Tiffin Sections with welded hanger brackets offer assembly convenience and strength. Tiffin Sections are designed for accurate hole punch. Along with the rivet and key fasteners, a smooth joining of all sections for an even face is assured. (No saw tooth top/bottom.)

- *Tiffin sections are constructed of 20-gauge steel, with a special zinc-coating on both sides, which resists corrosion and adds years of life.*
- *This heavy duty steel offers more strength and durability.*
- *Steel is fabricated with a smooth finish, ready to take a prime coat.*
- *4-side roll formation of section for strength and rigidity.*
- *Stackable*
- *Tiffin's tongue-and-groove alignment provides smooth finished seams, with greater windproofing, and is easily installed and disassembled.*
- *Ask for Tiffin's welded hanger sections!*



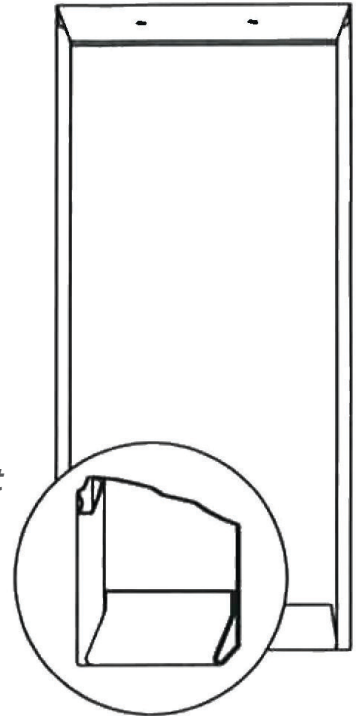
Tongue-and-Groove Joint



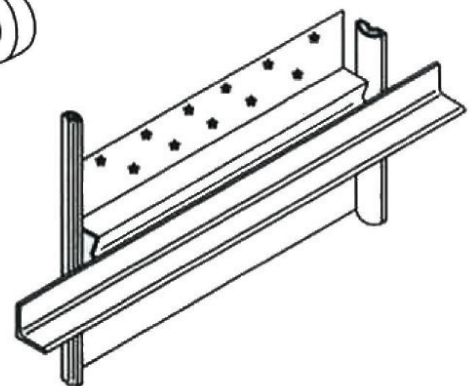
Steel Key



Rivet



Roll Formed Edge



Welded Hanger Method



TIFFIN METAL PRODUCTS COMPANY™

450 Wall Street · Tiffin, Ohio 44883
800-537-0983 · www.tiffinmetal.com

