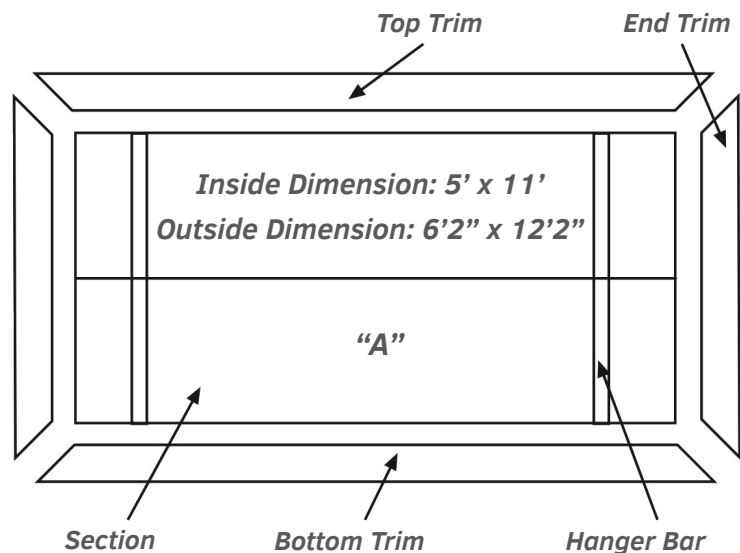


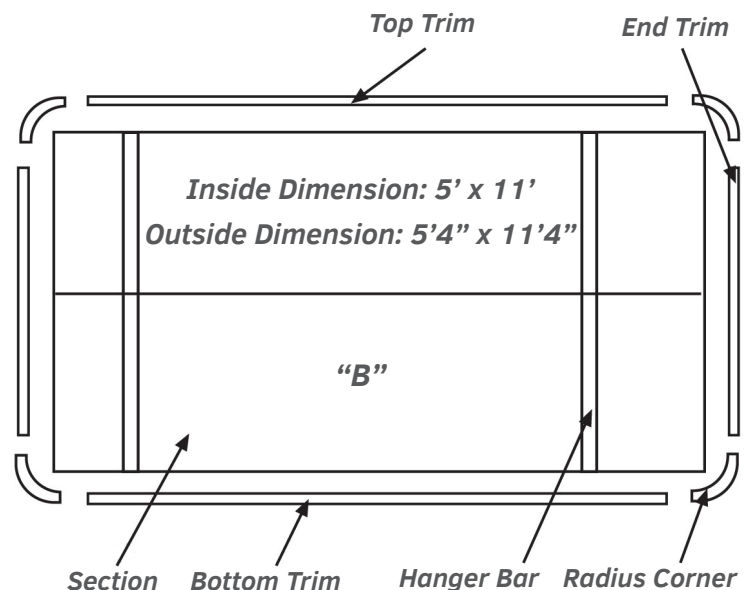
JUNIOR POSTER

2-PANEL ASSEMBLY INSTRUCTIONS

- **Step 1** - Install mounting brackets to the posts or wall using lag bolts.
- **Step 2** - Place both sections face down on a flat surface.
- **Step 3** - Bolt top and bottom trim to sections using fasteners.
- **Step 4** - (Only for radius corners) Fasten radius corners to end trim.
- **Step 5** - Slide end trim (or end trim assembly) into top and bottom trim.
- **Step 6** - Attach corners of trim securely with screws provided.
- **Step 7** - Install both hanger bars to sections using keys and fasteners.
- **Step 8** - Bolt trim to hanger bars using fasteners.
- **Step 9** - Hang completed build onto pole or wall.



SQUARE CORNER - STANDARD



RADIUS CORNER - STANDARD



TIFFIN METAL PRODUCTS COMPANY™

450 Wall Street · Tiffin, Ohio 44883
800-537-0983 · www.tiffinmetal.com

