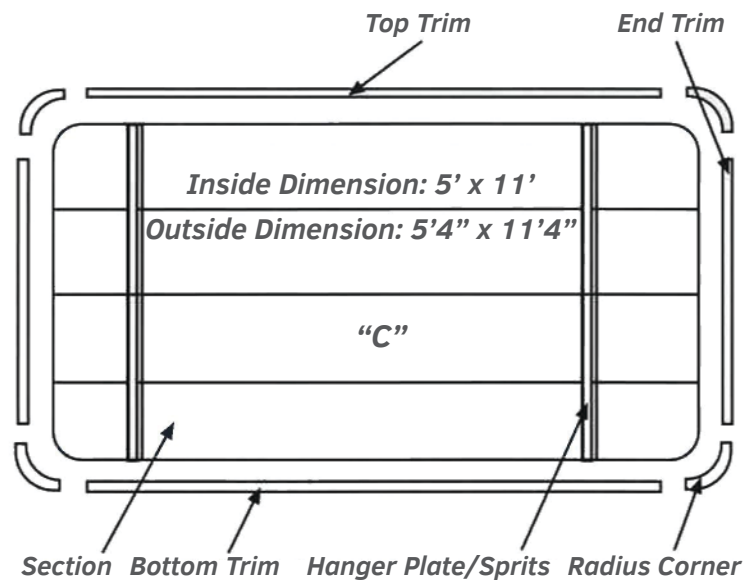


JUNIOR POSTER

4-PANEL ASSEMBLY INSTRUCTIONS

RADIUS CORNER-HORIZONTAL

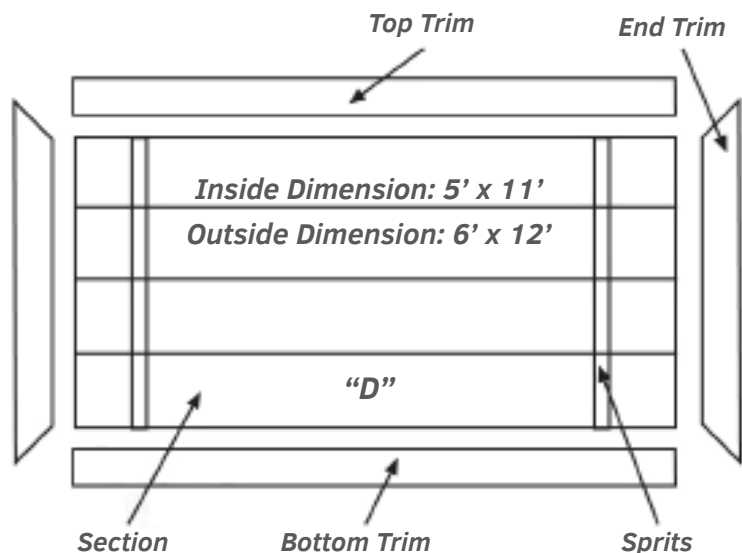
- **Step 1** - Lay sections face down on ground or saw horses. Interlock sections and attach 2 sprits and hanger plates using hook bolts, nuts, and washers.
- **Step 2** - Install (7) Top/LH trim brackets with self-tapping screws.
- **Step 3** - Install (5) Bottom/RH trim brackets with self-tapping screws.
- **Step 4** - Install top molding and fasten to back of sections and trim brackets with self-tapping screws.
- **Step 5** - Install both top corners to the top molding. Now install each end molding piece.
- **Step 6** - Install one bottom corner and bottom molding. Then install final round corner.



RADIUS CORNER - HORIZONTAL

SQUARE CORNER-HORIZONTAL

- **Step 1** - Lay sections face down on ground or saw horses. Interlock sections and attach 2 sprits using hook bolts, nuts, and washers.
- **Step 2** - Set bottom section and top/mid section in place and fasten with hook bolts. Put hook bolts in bottom hole but do not tighten until trim is in place.
- **Step 3** - Lift next section in place and interlock by pushing top of lower section out. Secure with hook bolts and repeat for top section. Do not tighten top hook bolts until trim is in place.
- **Step 4** - Fasten trim in place at the corners using the corner clips provided with metal screws.
- **Step 5** - Tighten hook bolts on top and bottom section.



SQUARE CORNER - HORIZONTAL



TIFFIN METAL PRODUCTS COMPANY™

450 Wall Street · Tiffin, Ohio 44883
800-537-0983 · www.tiffinmetal.com

