

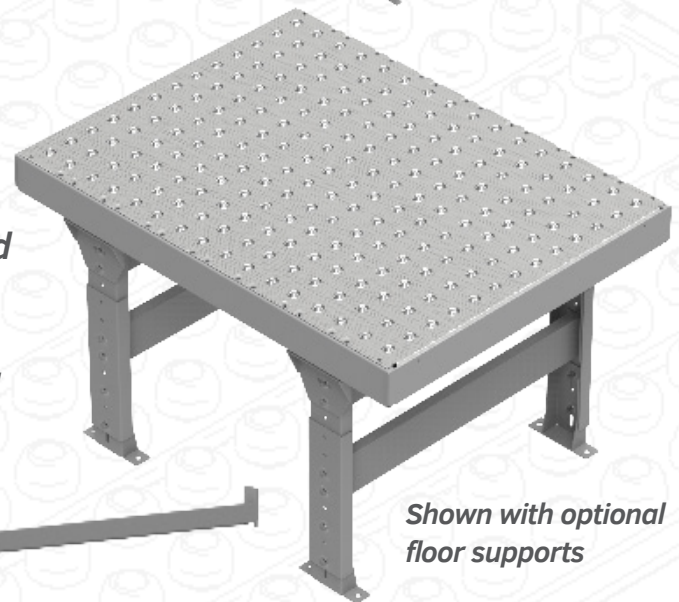
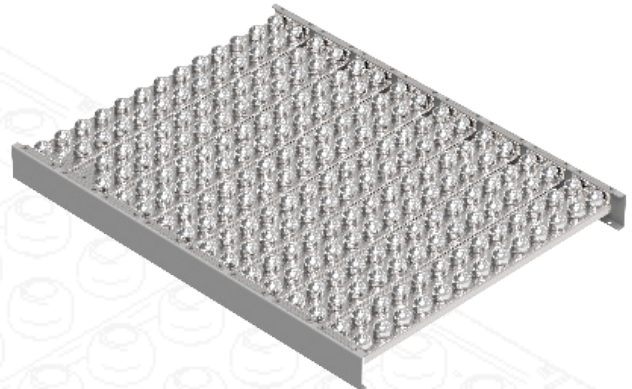
BALL TRANSFER TABLES

Ball transfer tables are used where product needs to be rotated or moved in more than one direction. Packages easily glide over friction-free steel balls minimizing lifting or pushing.

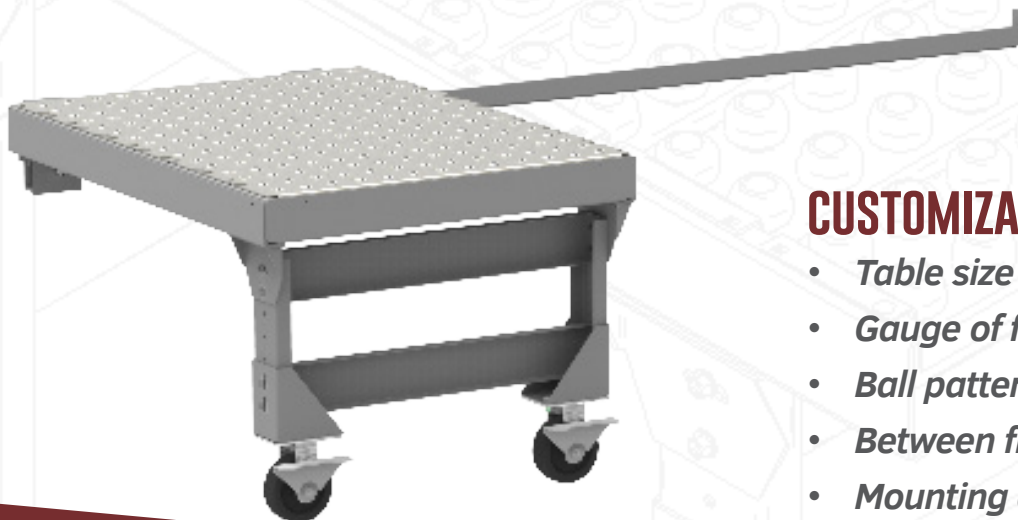
Ball Transfer Tables can be utilized free-standing with optional floor supports, placed on an existing work table or cart, coupled to existing sections of non-powered conveyor systems or used to replace conveyor sections.

CONSTRUCTION:

- *Ball Transfers: 1" diameter steel ball with a 1-3/4" diameter steel housing. 1/4-20 center post mount. Our ball transfers are heat treated and sealed for long lasting durability.*
- *Frame: 4" x 7/8" standard 12 gauge painted steel channel with butt plates. Heavy duty 10 gauge option available.*
- *Insert plates: 5.5" x 1" 12 gauge galvanized channels; bolts into side frames*



Shown with optional floor supports



CUSTOMIZABLE OPTIONS:

- *Table size*
- *Gauge of frame*
- *Ball pattern*
- *Between frame spacing*
- *Mounting and attachment brackets*



TIFFIN METAL PRODUCTS COMPANY™

450 Wall Street · Tiffin, Ohio 44883
800-537-0983 · www.tiffinmetal.com

