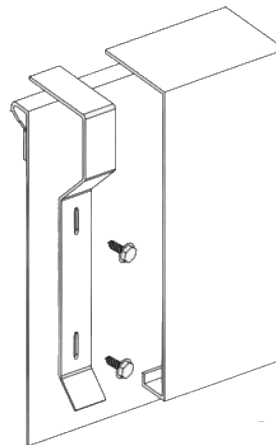
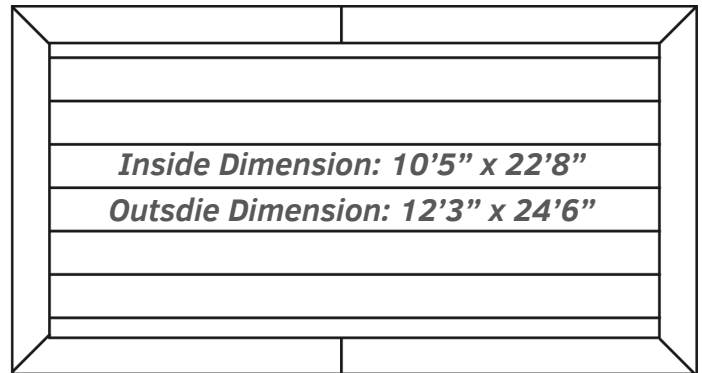


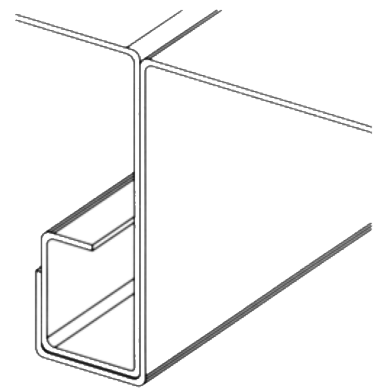
HORIZONTAL SQUARE CORNER

**30 SHEET
STRETCH FACE TRIM
RAISED FLAT PROFILE TRIM**

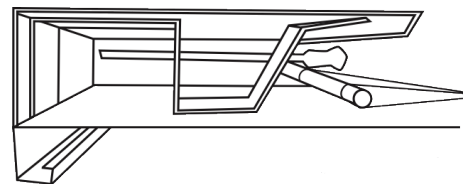
- *Tiffin's interlocking horizontal sections are carefully designed to meet industry standard sizes. When used with our 11" Square Corner Stretch Face Trim, the overall size becomes 12'3"x24'6", with a copy area of 10'5"x22'8".*
- *Tiffin's horizontal sections are constructed of 20-gauge, galvanized steel with a heavy zinc coating which adds to the life and aids in the prevention of corrosion.*
- *Each face consists of:*
 - (1) Set of 11" Square Corner Stretch Face Trim
 - (1) Package of Trim Brackets
 - (8) 18" wide x 24'5-1/2" long interlocking Horizontal Sections
 - (2 or 3) Sprints
 - (18 or 27) 2: Hook Bolts
 - (4) Hanger Plates
 - (‘H’ brackets available upon request)
- *The trim is easily installed. All joints are accurately mitered for neat fitting corners. Tiffin's center joint goes together for a smooth center with no gaps. The trim snaps on quickly and is available in white or gray.*
- *Tiffin Horizontal Faces can be completely assembled on the ground and quickly and easily lifted into place on your structure. A smooth, continuous surface is formed with Tiffin's interlocking horizontal sections.*



Stretch Face
Trim/Bracket



Interlocking Horizontal
Sections



Raised Flat Profile Trim/Bracket

Tiffin horizontal sections, parts and hardware are interchangeable with your existing inventories.



TIFFIN METAL PRODUCTS COMPANY™

450 Wall Street · Tiffin, Ohio 44883
800-537-0983 · www.tiffinmetal.com

