

# EXTENSION SUPPORT KITS

Give your extensions the support they need with Tiffin Metal Products' Extension Support Kit. Our kit was designed to attach to the top two stringers of your structure and to the top of the extension.

## EXTENSION SUPPORT KIT ASSEMBLY:

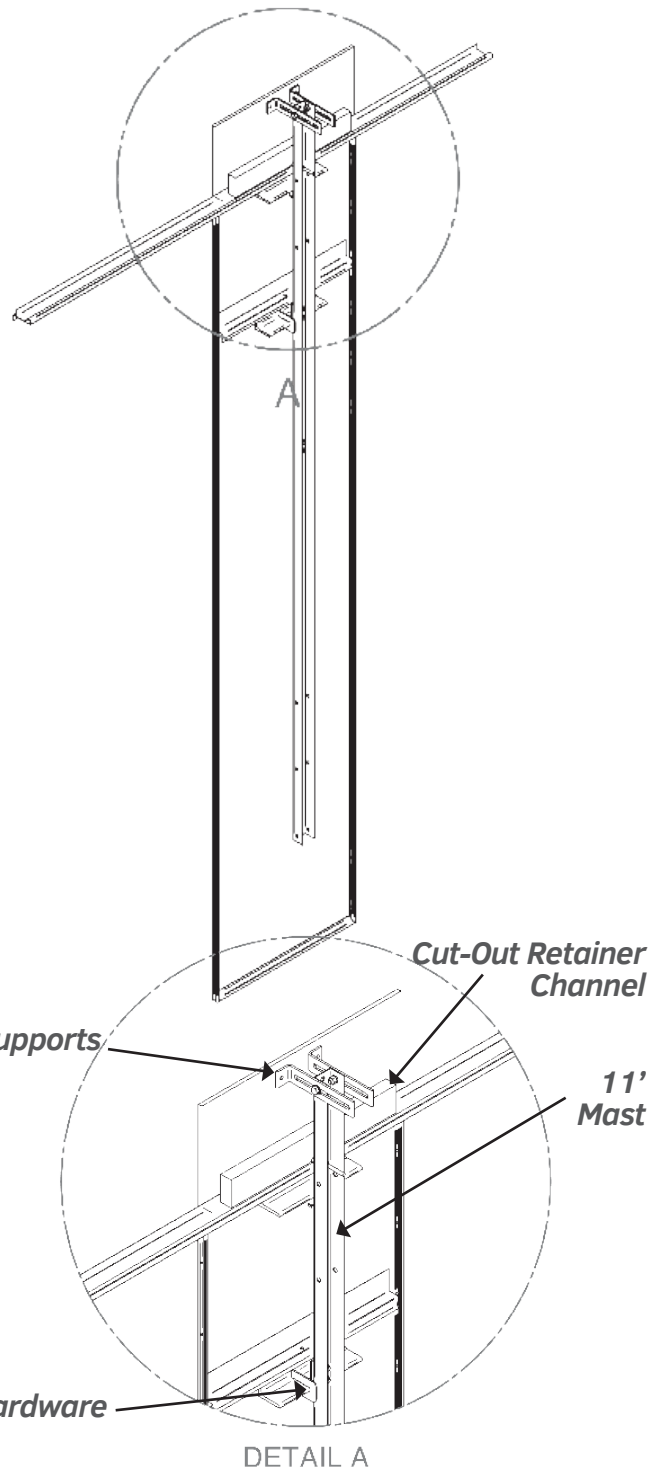
- Attach the 11' Mast to the top two stringers of the structure with mast rail clamps.
- The Mast is punched every two inches allowing for easy adjustment of the clamps.
- Mast accomodates extensions from 12" to 60" above the top of the sections.
- Attach extension to Mast with two arm supports.
- Arm supports are slotted for easy adjustment.

Cut-Out Retainer Channels and Hook Bolts sold separately. Standard Retainer Channels are 8'. Other sizes available upon request.

## EXTENSION SUPPORT KITS INCLUDE:

11' Mast	1
Mast Rail Clamps	2
Arm Supports	2
<b>OPTIONS:</b>	
8' Cut-Out Retainer Channel	
4" Hook Bolt	

\* 1 Mast Assembly accomodates 4' of Extension



**TIFFIN METAL PRODUCTS COMPANY™**

450 Wall Street · Tiffin, Ohio 44883  
800-537-0983 · [www.tiffinmetal.com](http://www.tiffinmetal.com)

